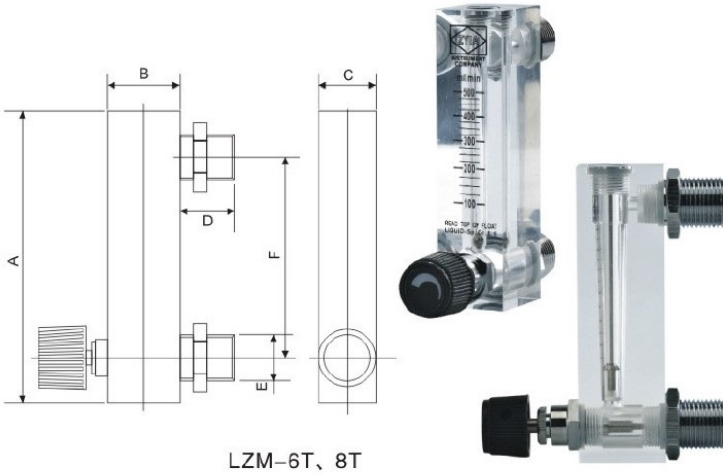


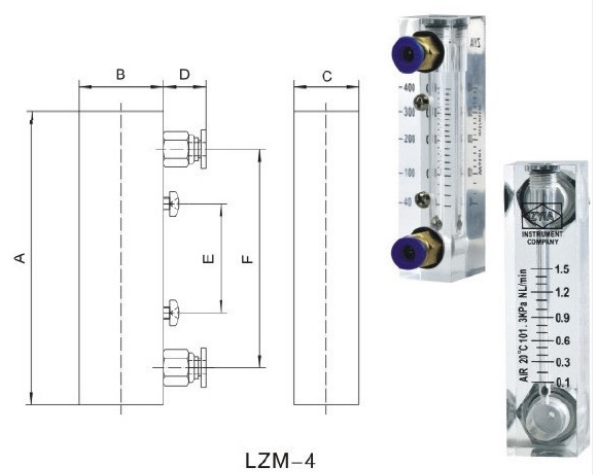
LZM SERİSİ DEĞİŞKEN ALAN DEBİMETRE

LZM-4T, 6T, 8T

Outline Dimension(with regulator)



Outline Dimension(without regulator)



Technical Parameters of LZM-4T, 6T, 8T Series Flow Meter

Model	Range				Screw Thread	Accuracy	Size (mm)					
	MI/min (Liquid)	L/min (Gas)					A	B	C	D	E	F
LZM-4T	6-60 8-80 30-120 40-400	0.05-0.5 0.25-2.5 1-5	0.1-1 0.6-6 1-10	0.2-2 1-4 1-12	Direct Φ 6	$\pm 4\%$	94	27	21	14	35	70
LZM-6T	6-60 10-70GPH 16-160 25-250 80-400 100-500 100-600 200-800 100-1000	0.1-0.8 0.3-3 1-5 2-20 4-20 10-60 0.05-0.25m ³ /h 0.04-0.4 m ³ /h	0.1-1.5 0.4-4 1-12 3-15 5-25 10-70 10-100	0.1-1 0.5-8 2-10 3-30 6-30	(F) 1/4" BSP		102	30	25	20	M18x1.5	77
LZM-8T	2.5-25LPH 5-45LPH 6-60LPH	0.16-1.6 m ³ /h 0.1-1 m ³ /h 0.2-2 m ³ /h					110	25	25	20	M18x1.5	80

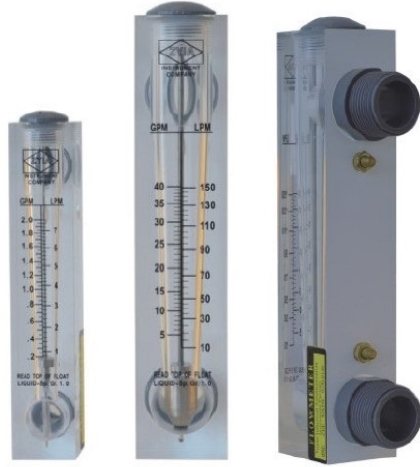
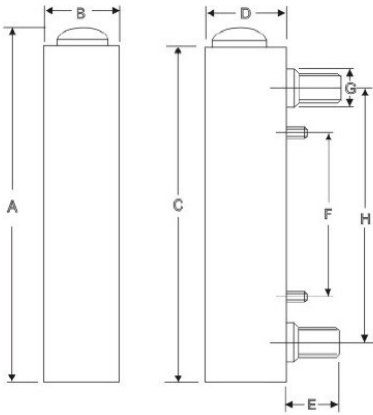
The material of LZM- 4T, 6T, 8T Series Flow Meter

With valve	Valve	Fitting	Float	O-ring
T-With	√1.Brass	1.Brass	√ 1.SS	√ 1.Silicon rubber
O-No	2.SS	√2.Brass chromeplate 3.SS	2.Agata ball	2.Fluorin rubber 3.Butyl

Note:Mark with√, the material of the Flow Meter is the General Configuration

LZM SERİSİ DEĞİŞKEN ALAN DEBİMETRE

LZM-Z Series



Standard fitting

Customized fitting

Technical Parameters of LZM-Z Series Flow Meter

Model	Range			Screw Thread	Accuracy	Size (mm)							
	GPM (Liquid)	LPM (Liquid)	Nm ³ /h(Gas)			A	B	C	D	E	F	G	H
LZM-15ZA		15-150LPH	0.1-1 0.16-1.6 0.3-3 0.4-4	(M) 1/2" BSPT (F) 1/4" BSPT	±4%	157	32	150	35	25	60	25	110
LZM-15Z		10-100LPH 16-160LPH 25-250LPH	0.04-0.4 0.1-1 0.16-1.6 0.3-3 0.25-2.5 0.4-4	(M) 1/2" BSPT (F) 1/4" BSPT		175	32	168	35	25	76	25	127
	0.03-0.35	0.1-1.4	0.6-6 0.8-8										
	0.05-0.5	0.2-1.8	1-10 1.6-16										
	0.1-1	0.5-4	1.8-18 2-20										
	0.15-1.5	0.6-6	2.5-25 3-30										
	0.2-2	1-7	4-40										
LZM-25Z		5-35	2.5-15 2.5-25	(M) 1" BSPT		234	45	226	46	33	100	37	160
		1-10	4-40 6-60										
		1-15	10-100 20-100										
		2-14	16-160 25-250										
		2-20	30-300 35-350										
		5-35											
		5-40											
		5-45											
	0.3-2.1 m ³ /h 0.6-3 m ³ /h 0.6-4.2 m ³ /h												

The material of LZM-Z Series Flow Meter

Fitting	Float	O-ring
1.ABS 4.Brass 2.PP 5.Brass chromeplate √ 3.PVC 6.SS	√ 1.SS	√ 1.Silicon rubber 2.Fluorin rubber 3.Butyl

Note:Mark with √ , the material of the Flow Meter is the General Configuration